

Special connection request

Enquiries: 02 6293 5749

Fax: 02 6293 5750

Service and Installation Rules Appendix A11

- All systems must be approved by ActewAGL and all relevant authorities prior to connection to the ActewAGL network.
- Systems must comply with the ActewAGL Service and Installation Rules, ActewAGL Electricity Connection Distribution Standard Customer Contract, ActewAGL Renewable Energy Generator Connection Contract and ActewAGL Guidelines for Grid Connected Photovoltaic Installations.
- All charges are as per the ActewAGL Schedule of Electricity Network Charges, as published by ActewAGL and available at www.actewagl.com.au

Work site address

▶ Customer or business name

▶ Unit number

▶ Floor number

▶ Street number

<input type="text"/>	<input type="text"/>	<input type="text"/>
----------------------	----------------------	----------------------

▶ Street name

▶ Block

▶ Section

<input type="text"/>	<input type="text"/>
----------------------	----------------------

▶ Suburb

▶ State

▶ Postcode

<input type="text"/>	<input type="text"/>	<input type="text"/>
----------------------	----------------------	----------------------

System information

▶ System nominal output Watts

Inverter details

▶ Manufacturer

▶ Model number

▶ DC Voltage

▶ AC Power

Panel details

▶ Manufacturer

▶ Model number

Single line diagram of system filled out? Yes See back of page.

Installer information

▶ Contractor/Installer

▶ Business name

<input type="text"/>	<input type="text"/>
----------------------	----------------------

▶ Licence number

▶ BSCE accreditation number

<input type="text"/>	<input type="text"/>
----------------------	----------------------

Customer declaration

By signing below I declare and agree that:

- the information I have provided in this form is accurate and correct. If for any reason this information is incorrect, I will submit a new Special connection request form for approval by ActewAGL
- I have read, understood, and accept the terms and conditions of the ActewAGL Renewable Energy Generator Connection Contract.

▶ Customer name

▶ Signature

▶ Date

<input type="text"/>	<input type="text"/>	<input type="text"/>	<input type="text"/>
----------------------	----------------------	----------------------	----------------------

Are you eligible to apply for the **Electricity Feed-in Renewable Energy Generation scheme**? Contact the ACT Government at www.act.gov.au for information. To apply for the scheme, please contact your electricity supplier. Yes No

Office use only

▶ Received date

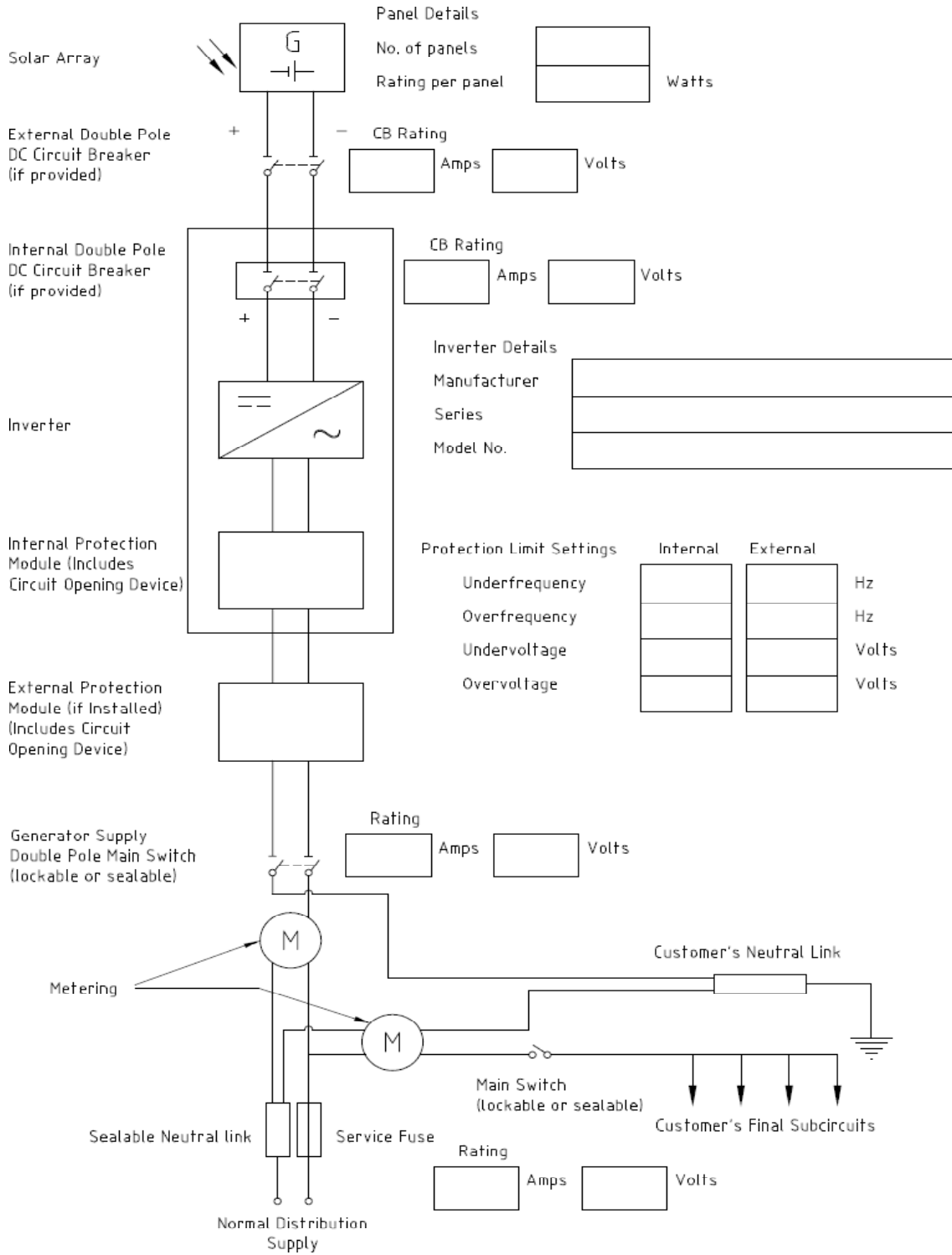
▶ Officer name

▶ Signature

▶ Date

This approval will cease 90 days from the issue date unless a test certificate of installation is received from the licensed electrician.

Solar system line diagram



▶ Customer details

▶ Notes

▶ Contractor details

▶ ActewAGL officer approval

▶ Date / /